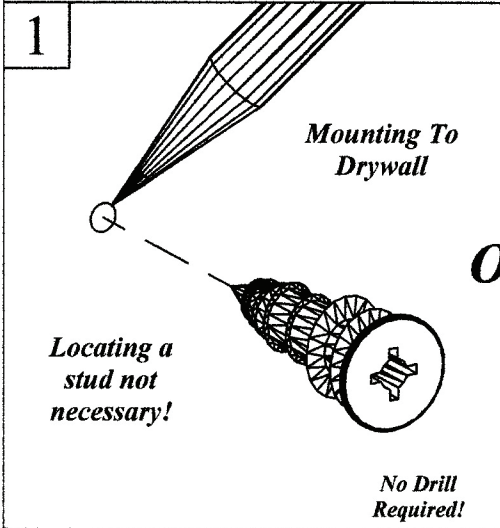


Magic Rack® Organizer Instructions Patent Pending

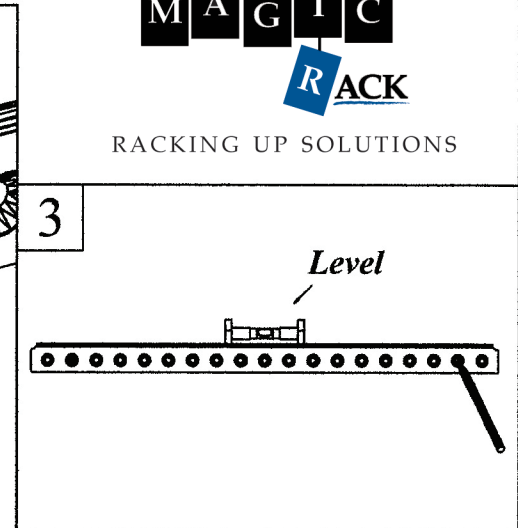
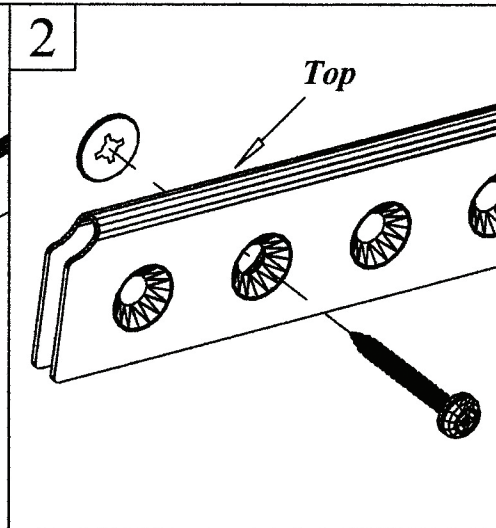
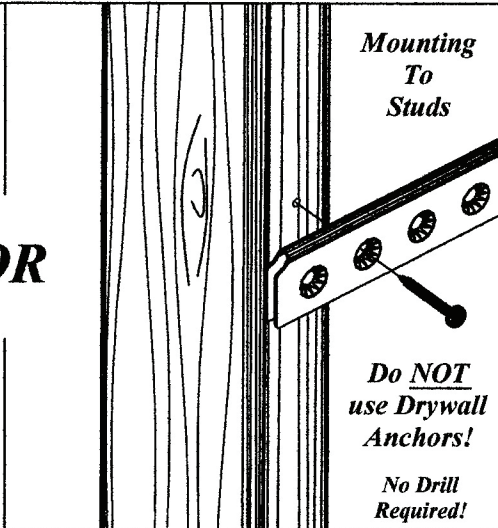
Contact Us: (614) 492-8811 8-5 EST
or @ www.MagicRack.com/organizer



RACKING UP SOLUTIONS



OR

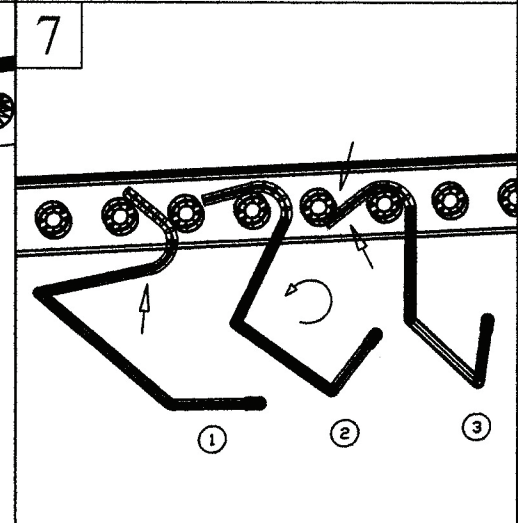
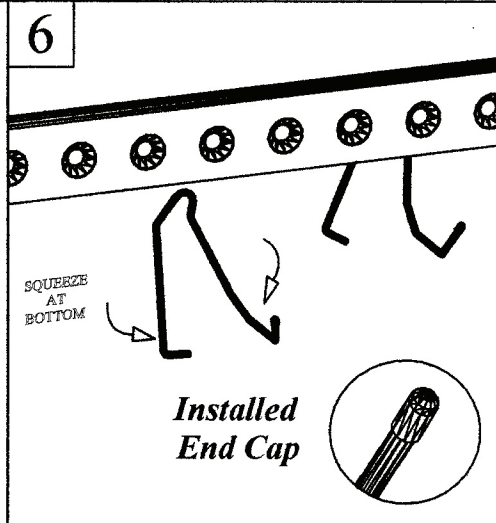
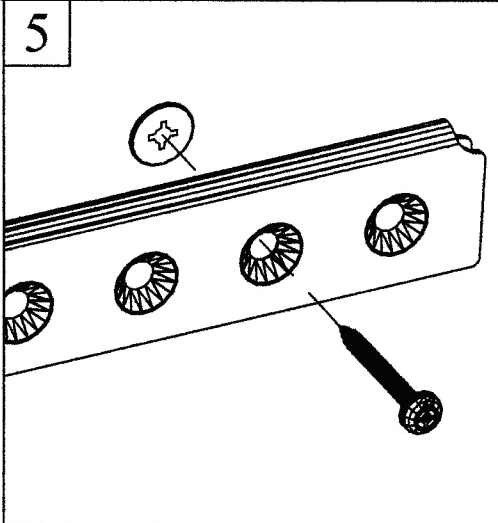
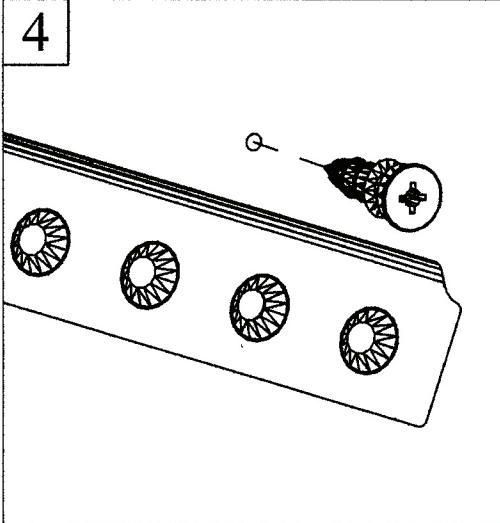


Mark the first hole location at the desired height. Screw in Drywall Anchor until it is flush with the wall. (Proceed to step 2)
(Note: If you hit a stud with the Anchor, discard the Anchor and use only the Wood Screw.)

Mark the first hole location at the desired height. Insert the first Wood Screw (as shown). Using the Level (included), hold Magic Rack straight, then insert the second Wood Screw through the remaining hole already on 16" stud spacing. (Proceed to step 6)

Insert the Wood Screw through the punched hole in the Magic Rack and into the Drywall Anchor. Do not tighten screw yet.

Using Level (included), hold Magic Rack straight, then mark the second hole location.



Pivot Magic Rack down, then screw in second Drywall Anchor until it is flush with the wall.

Insert the second Wood Screw through the punched hole in the Magic Rack and into the Drywall Anchor. Securely tighten screw, then also tighten screw from step 2.

Squeeze hook at bottom, insert **between** two dimples up inside the Magic Rack and rotate until hook is straight. When locked properly, hook will not pull out.

Start the end into the Magic Rack and rotate **over** the dimple. For proper installation, make sure the hook is braced against the dimple to the left. Install vinyl end caps on all hooks.